

**Progeo (English)**

Date .....  
 User .....  
 End user weight (kg) .....

Company stamp

.....  
 Language user manual ..... Responsible .....

Folding tilting frame wheelchair

**Information on end user**

End user pathology : .....

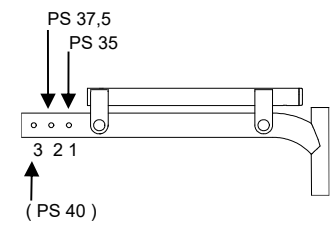
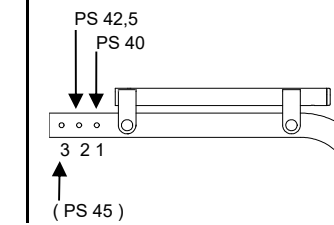
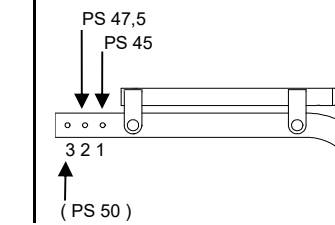
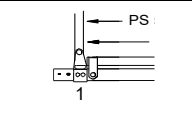
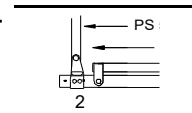
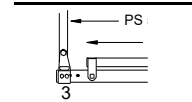
Presence of dystonia or important spasms :  YES  NO      End user weight (kg):.....Kg

**Wheelchair measures - The tolerance on all the dimensions indicated and/or required is ± 10 mm**

**Seat width (LS)**

MODEL ADULT	MODEL JUNIOR
<input type="checkbox"/> 33 <input type="checkbox"/> 36 <input type="checkbox"/> 39 <input type="checkbox"/> 42 <input type="checkbox"/> 45 <input type="checkbox"/> 48 <input type="checkbox"/> kit to increase seat width (LS + 3cm) <b>09876</b> ☆ Not mounted <input type="checkbox"/> Mounted	<input type="checkbox"/> 27 <input type="checkbox"/> 30 <input type="checkbox"/> 33 <input type="checkbox"/> 36 <input type="checkbox"/> 39 <input type="checkbox"/> kit to increase seat width (LS + 3cm) <b>11476</b> ☆ Not mounted <input type="checkbox"/> Mounted

**Seat depth (PS) - adjustable!**

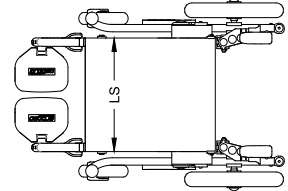
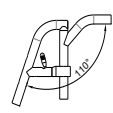
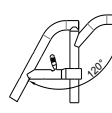
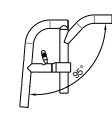
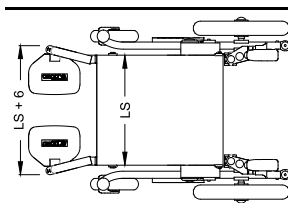
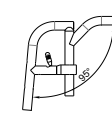
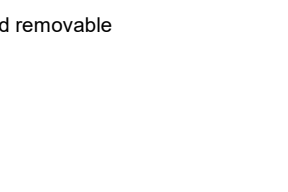

Short frame	Medium frame	Long frame	
<input type="checkbox"/> 35 <input type="checkbox"/> 37,5 <input type="checkbox"/> 40 	<input type="checkbox"/> 40 <input type="checkbox"/> 42,5 <input type="checkbox"/> 45 	<input type="checkbox"/> 45 <input type="checkbox"/> 47,5 <input type="checkbox"/> 50 	<b>Backrest tube position</b>   

**Footplate distance (DP) - (Real distance between seat and footplate)**  
*IMPORTANT NOTICE! From the footplate to the floor minimum 4cm !! (Minimum Front height = DP + 4cm)*  
*Minimum footplate distance ~22cm*

.....(cm)      ±0.5cm - adjustment steps 1.5cm

**Seat height (parallel to the ground)**

	Rear wheels					Rear wheels			
	12"	16"	22"	24"		12"	16"	22"	24"
<b>CASTERS 6"</b>	<input type="checkbox"/> 42 ☆ 43,3 <input type="checkbox"/> 44,5 <input type="checkbox"/> 45,8 <input type="checkbox"/> 47	<input type="checkbox"/> 47 <input type="checkbox"/> 48,3	<input type="checkbox"/> 42 <input type="checkbox"/> 43,3 <input type="checkbox"/> 44,5 <input type="checkbox"/> 45,8	<input type="checkbox"/> 43,3 <input type="checkbox"/> 44,5 <input type="checkbox"/> 45,8 <input type="checkbox"/> 47 <input type="checkbox"/> 48,3	<b>CASTERS 7"</b>	<input type="checkbox"/> 44,5 <input type="checkbox"/> 45,8 <input type="checkbox"/> 47	<input type="checkbox"/> 47 <input type="checkbox"/> 48,3	<input type="checkbox"/> 44,5 <input type="checkbox"/> 45,8	<input type="checkbox"/> 44,5 <input type="checkbox"/> 45,8 <input type="checkbox"/> 47 <input type="checkbox"/> 48,3

<p><b>Front frame</b></p> <p>☆ Straight frame (not available for seat width 27)</p>		<p style="text-align: center;">Front frame, swing away, and removable</p> <div style="display: flex; justify-content: space-around; align-items: center;"> <div style="text-align: center;">             ☆ 110°         </div> <div style="text-align: center;">   <input type="checkbox"/> 120°         </div> <div style="text-align: center;">   <input type="checkbox"/> 95°            (Exclude the installation of casters 7")         </div> </div>
<p><input type="checkbox"/> Frame with abduction 6cm not available for seat width 42 - 45 - 48 Maximum footplate distance 42</p>		<p style="text-align: center;">Front frame, swing away, and removable</p> <div style="text-align: center;">             ☆ 95°            (Not available casters 7")         </div>
<p><input type="checkbox"/> Elevating front frame, swing away and removable not available for seat width 27 - 30 - 33 Minimum footplate distance 25cm.</p>		<p style="text-align: center;"><b>Include calf supports and plastic footrest with heel band</b></p> <div style="text-align: right;">  <p><b>09730</b></p> </div>

Date ..... Order ..... User ..... Address .....

**Frame colour (without extra charge)**

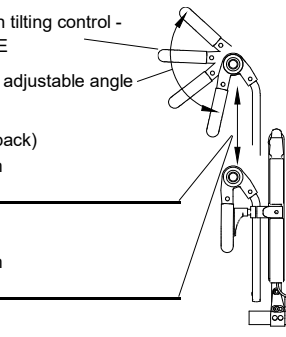
Opaque black     
  AVIO blue     
  POLAR white     
  Matt orange  
 Tekno anthracite     
  Matt grey     
  Matt red

**Frame colour on request**

Bright red     
  Bright fuchsia     
  Bright lime     
  Bright blue china     
 09729

**One piece Push handle for companion**

One piece Push handle with tilting control - REMOVABLE



adjustable angle

With fixed back(non-folding back)  
adjustable distance 30÷70cm  
(to the seat)

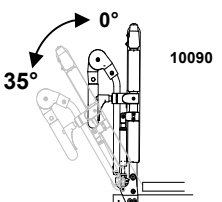
With folding back backrest  
adjustable distance 20÷60cm  
(to the seat)

**Backrest**

Fixed back(non-folding back)  
adjustable angle from -4° to +12°

Folding back backrest      09728  
adjustable angle from -4° to +12°

Reclining backrest (Non-folding back)  
dynamic reclining with gas spring      10090



The real seat depth, from the front part of the seat cloth to the backrest tube will be 1,5 cm more than the declared one.

**Backrest upholstery**

WITH NO backrest upholstery, NOR tension adjustment straps  
**Backrest Height (TS) ..... (std 42cm)**

WITH backrest upholstery and tension adjustment straps. Complete with backrest-seat connection cloth.      04693  
 With fixed back(non-folding back)->minimum height 39cm  
**Backrest Height (TS) ..... (std 42cm)**

**Casters**

6" Soft  
 6" Pneumatic  
 7" Soft

**Not available with: Front frame 95°**

**Rear wheels**

12" transit rear wheels - Anti-puncture

12" transit rear wheels - Pneumatic  
 16" transit rear wheels - Pneumatic  
 24" Ultra-light Progeo - Standard!      04696  
 22" Ultra-light Progeo - Standard!      04696  
 24" Ultra-light "Spinergy LX"      04691  
 24" Ultra-light "Spinergy LXL"       Black hub and white spokes       Hub and spokes black      07848  
 24" Ultra-light "Spinergy Flex rim"      Integrated aluminium/rubber handrim      02270  
 24" Off-road (aluminium handrim black - Wheel distance 4cm)      04690  
 12" with brake handles for companion (drum brake)       Anti-puncture       Pneumatic      04105  
 16" with brake handles for companion (drum brake) - Pneumatic      04107

24" with brake handles for companion (drum brake) (aluminium handrim - Wheel distance 3cm)      03384

**Colour rear wheels**

*Only standard Progeo 22"/24" wheels have coloured hubs and rims*

<input checked="" type="checkbox"/> Black	22" 24"	
<input type="checkbox"/> Bright silver	22" 24"	00833
<input type="checkbox"/> Bright lime	22" 24"	00833
<input type="checkbox"/> Bright blue	22" 24"	00833
<input type="checkbox"/> Bright red	22" 24"	00833
<input type="checkbox"/> Bright fuchsia	22" 24"	00833
<input type="checkbox"/> POLAR white	22" 24"	00833
<input type="checkbox"/> Tekno anthracite	22" 24"	00833
<input type="checkbox"/> Matt Midnight blue	22" 24"	00833
<input type="checkbox"/> Matt grey	22" 24"	00833
<input type="checkbox"/> Matt red	22" 24"	00833

**Handrim**      **Wheel distance**  3 cm       4 cm

Aluminium (22-24")

Aluminium black SOFT-TOUCH (24")      09170  
 Chromed Steel (24")      01684  
 Titanium (24")      00016  
 Ultra Grepp (24")      00017

TOP FRICTION (24")      11023  
**Oval countour with a rubber insert**

NOVA H (24")      11025  
**Ergonomic black profile**

NOVA D (24")      11026  
**Ergonomic profile with rubber coating (ideal for quadriplegics)**

Silicon cover for standard aluminium handrim      04050

Date ..... Order ..... User ..... Address .....

**Rear wheel tyre**

High pressure tyre (22-24")  
 High pressure profile tyre (24")  
 Marathon Plus (24") with anti-puncture protection **01669**  
 Anti-puncture - Colour Grey (22") **04181**  
 Anti-puncture - Colour Black (24") **11083**  
**Not available with Rear wheels : 24" Ultra-light "Spinergy LXL"**

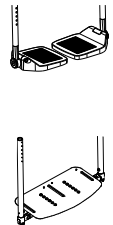
**Wheel locks**

Bent lever push to lock  
 Straight lever push to lock  
 Straight lever pull to lock  
 Brake with extension lever push to lock **01949**  
 Brake with extension lever pull to lock **03372**



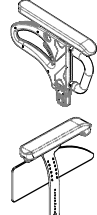
**Footplate (Not available with Elevating front frame, swing away and removable)**

Plastic footrest, rake adjustable  
 Minimum footplate distance ~22cm  
 Not available with: Front frame with levating footrest, swing away and removable **11525**  
 One piece aluminium footplate - Flip-up! rake and depth adjustable  
 Not available for seat width 27-30 with straight front frame **09727**  
 Minimum footplate distance ~21cm  
 Not available with: Front frame with levating footrest, swing away and removable  
 Internal  2/3 Internal  2/3 External  External




**Removable armrest with integrated mudguard**

Desk armrests PROGEO (Removable and height adjustable)  
 Removable armrest with ABS straight sideguard (Removable and height adjustable)  
 Real distance between seat and armrest pads (cm)  21  23  25  27  29



**SAFETY**

4 points tie-down system rings (installation must be carried out by the manufacturer) **08654**  
 A head restraint suitable for transportation must be available and fitted accordingly during transportation.




**Accessories**

Pad for front frame protectors **07058**  
 Removable storage bag (with quick coupling) **09811**

**Optional 1**

Anti-tipper with rapid hookup (inside rotation to reduce the encumbrance) **INCLUDED ON THE BASIC PRICE**  
 Super Head rest (Folding with the wheelchair) **11477**  
 Transit wheels **00836**  
 Tipping aid  Right **00025**  
 Left **01046**  
 Crutches support  Right **00838**  
 Left **00837**



**Optional 2**

Harness **04103**  
 Safety pelvic belt **03972**  
 Tray table (removable) **00508**  
 Lumbar support (to insert in the backrest upholstery) **00013**  
 Spoke guards Black (22-24") **01043**  
 Spoke guards Transparent (22-24") **00835**  
 Spoke guards Progeo design (22-24") **00019**

Date ..... Order ..... User ..... Address .....


**PHYSIO - Std. Backrest upholstery not provided**

Removable with quick release  
Suitable for tubes with diameter 18+26mm  
Depth adjustment (4cm)  
Angle adjustment ( $\pm 18^\circ$ )

**Posture backrest KID JUNIOR VERSION**


- KID** Aluminum shell

**WARNING:** with this backrest the seat depth is reduced by 5 cm approx.


BACKREST HEIGHT	29	34	40
Shell's shape 	Lateral retaining wing R=regular		
	R	R	R
	<input type="checkbox"/>	<input type="checkbox"/>	<input type="checkbox"/>

**Posture backrest ADULT VERSION**

- AIR** Carbon shell  
not available for seat width 27 - 30

BACKREST HEIGHT	28	34	40
Shell's shape 	Lateral retaining wing A=high - R=regular		
	A	R	A
	<input type="checkbox"/>	<input type="checkbox"/>	<input type="checkbox"/>

- POSTURE** Aluminum shell  
not available for seat width 27 - 30

BACKREST HEIGHT	34	40	52
Shell's shape 	Lateral retaining wing R=regular		
	R	R	R
	<input type="checkbox"/>	<input type="checkbox"/>	<input type="checkbox"/>

**Configuration DEEP with side support PAD (height adjustable)**

Alluminum lateral with padded, breathable upholstery.



Small (h 13cm)



Right  
10272

Left  
10272

Large (h 20cm)



Right  
10273

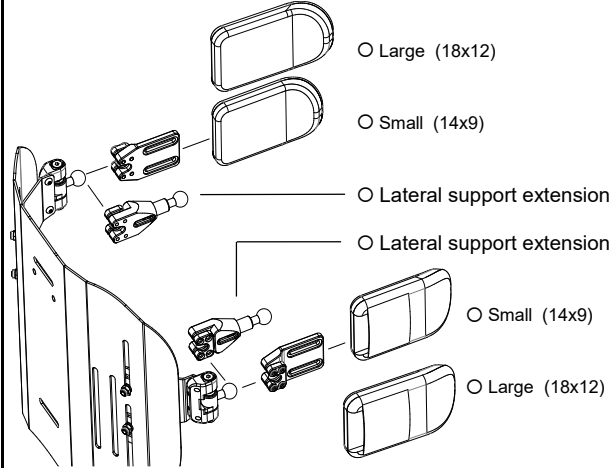
Left  
10273

Date ..... Order ..... User ..... Address .....

**Accessories**

*KID AIR POSTURE*

SWING AWAY - Lateral support  
Not available for backrest Physio AIR carbon shell  
Fixing and adjustment hardware complete with protection sleeve  
Alluminum lateral with padded, breathable upholstery.



Large (18x12) 05647

Small (14x9) 05643

Lateral support extension Quantity (number pcs)..... 10271

Lateral support extension Quantity (number pcs).....

Small (14x9) 05642

Large (18x12) 05646

Headrest adjustable - Double ball mounting system  
Available only with backrest Physio Posture and Kid

Large (35x12,5) 05648  
 Small (25x12,5)




Empty section for additional notes or specifications.



00064

Wheelchair : Progeo TEKNA TILT 2.0 - Rev. 2026.0	Prices - VAT excluded to be added to the price list	Send this page only if any optional have been chosen
		<input checked="" type="checkbox"/> <b>standard</b> <small>(supplied if no requests are indicated)</small> <input type="checkbox"/> <b>on request</b> <small>(without extra charge)</small> <input type="radio"/> <b>optional</b> <small>(cost to be added at the basic price)</small>


Date ..... Order ..... User ..... Address .....

**SMARTDRIVE - including battery charger**



 <b>SWITCH CONTROL (DX+SX) - EU</b> Funzionamento a due pulsanti	<input type="radio"/> 6 KM/H	MX2-S002
	<input type="radio"/> 9 KM/H	MX2-S005
 <b>SWITCH CONTROL + JACK 3.5 - EU</b> "Mono" female input, allows SmartDrive to be connected to any other control/driving device.	<input type="radio"/> 6 KM/H	MX2-S003
	<input type="radio"/> 9 KM/H	MX2-S006

**Pulsante di comando esterno BUDDY BUTTON**  
 completo di adattatore, set di montaggio e braccio di estensione  
*Disponibile solo con SWITCH CONTROL + JACK 3.5*



MX2-BBB

**ATTACHMENT HARDWARE FOLDER KIT**  
 Choose attachment hardware kit according to the size of the wheelchair's rear wheels



Attachment hardware folder kit - rear wheels 22" - 24" MX2-443-C

Attachment hardware folder kit - rear wheels 25" MX2-453-C

Attachment hardware folder kit - rear wheels 26" MX2-463-C


**SMART WATCH**

Lo SmartDrive può essere comandato e gestito con uno Smart Watch APPLE o GALAXY  
 Fast and simple setup  
 Increased screen visibility  
 Improved battery performance  
 Free App from Apple Store and Play Store

<u>Lista compatibilita'</u>	<b>Smart Watch compatibili</b>	<b>Applicazioni gratuite</b>
	<b>APPLE WATCH</b> serie 5 o successivi con iOS 8 o successivi Apple iPhone	SmartDrive MX2+ 
	<b>GALAXY WATCH</b> serie 4 o successivi Smartphone Samsung Smartphone Android 6.0 e RAM almeno 1.5 GB	

**Accessories**

Carrying bag  MX2SD-BAG

Universal padded handle  
*Universal padded handle*  MX2-986

Wheelchair : Progeo TEKNA TILT 2.0 - Rev. 2026.0	Prices - VAT excluded to be added to the price list	Send this page only if any optional have been chosen <input checked="" type="radio"/> standard (supplied if no requests are indicated) <input type="checkbox"/> on request (without extra charge) <input type="radio"/> optional (cost to be added at the basic price)
--	--	---