



Date
 User
 End user weight (kg)
 Language user manual

Progeo (English)
 Company stamp

Posture backrest

Responsible

Wheelchair model and brand		Seat width (LS)	
BACKREST HEIGHT	28	34	40
Shell's shape	Lateral retaining wing A=high - R=regular		
7,5 cm 	A	R	A
	A	R	A
	A	R	A
Carbon shell width			
36 Seat width (LS) from 33 to 39			
39 Seat width (LS) from 36 to 42			
42 Seat width (LS) from 39 to 45			
45 Seat width (LS) from 42 to 48			
Prices - VAT excluded			



ASSEMBLY AND ADJUSTMENT SYSTEM


★ **Removable with quick release**
 For rigid frame and folding wheelchairs
 Suitable for tubes with diameter 18+26mm
 Depth adjustment (4cm)
 Angle adjustment (±18°)

□ **Fixed**
ONLY PROGEO rigid frame wheelchair (not available for seat width 48)
 Suitable for aluminium tubes with diameter 20mm
 Depth adjustment ±1cm
 Angle adjustment ±10°
Exclude:
 Side support PAD
 SWING AWAY - Lateral support


Configuration DEEP with side support PAD (height adjustable)
Not available with Assembly and adjustment system FIXED

Alluminum lateral with padded, breathable upholstery.

Small (h 13cm)




Right 10272




Left 10272


Large (h 20cm)



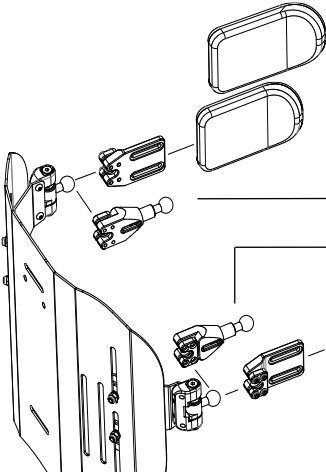
Right 10273



Left 10273

15 cm 

SWING AWAY - Lateral support
 Fixing and adjustment hardware complete with protection sleeve
 Alluminum lateral with padded, breathable upholstery.
Not available with Assembly and adjustment system FIXED



- Large (18x12) 05647
- Small (14x9) 05643
- Lateral support extension Quantity (number pcs)..... 10271
- Lateral support extension Quantity (number pcs).....
- Small (14x9) 05642
- Large (18x12) 05646

.....



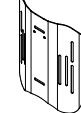

.....

Optional
 Harness 04103

Pag. 1 / 1	Progeo PHYSIO AIR - Rev. 2026.0	Prices - VAT excluded to be added to the price list	Send this page <input checked="" type="checkbox"/> standard (supplied if no requests are indicated) <input type="checkbox"/> on request (without extra charge) <input type="checkbox"/> optional (cost to be added at the basic price)
------------	---------------------------------	---	---

Date Progeo (English)
 User Company stamp
 End user weight (kg)
 Language user manual Responsible

Posture backrest

Wheelchair model and brand		Seat width (LS)	
BACKREST HEIGHT	34	40	52
Shell's shape 	Lateral retaining wing R=regular		
	R	R	R
7,5 cm			
Aluminum shell width	36	Seat width (LS) from 33 to 39	
	39	Seat width (LS) from 36 to 42	
	42	Seat width (LS) from 39 to 45	
	45	Seat width (LS) from 42 to 48	
	48	Seat width (LS) from 45 to 51	
Prices - VAT excluded			

POSTURE

Physio

Aluminum shell

ASSEMBLY AND ADJUSTMENT SYSTEM

Removable with quick release

For rigid frame and folding wheelchairs

Suitable for tubes with diameter 18+26mm

Depth adjustment (4cm)


Angle adjustment (±18°)

Configuration DEEP with side support PAD (height adjustable)


Alluminum lateral with padded, breathable upholstery.

15 cm

Small (h 13cm)




Right 10272




Left 10272

Large (h 20cm)



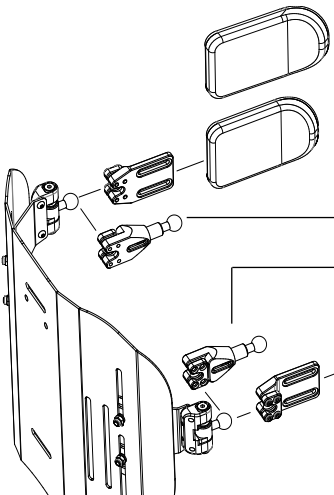
Right 10273



Left 10273

SWING AWAY - Lateral support

Fixing and adjustment hardware complete with protection sleeve
 Alluminum lateral with padded, breathable upholstery.



- Large (18x12) 05647
- Small (14x9) 05643
- Lateral support extension Quantity (number pcs)..... 10271
- Lateral support extension Quantity (number pcs).....
- Small (14x9) 05642
- Large (18x12) 05646

Optional



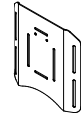

Headrest adjustable - Double ball mounting system Large (35x12,5) 05648

Harness Small (25x12,5) 04103

Date
 User
 End user weight (kg)
 Language user manual
 Progeo (English)
 Company stamp
 Posture backrest
 Responsible

Wheelchair model and brand Seat width (LS)

WARNING: with this backrest the seat depth is reduced by 5 cm approx.

BACKREST HEIGHT		29	34	40
Shell's shape		Lateral retaining wing R=regular		
		R	R	R
Aluminum shell width				
	30	Seat width (LS) from 27 to 30		
	33	Seat width (LS) from 30 to 33		
	36	Seat width (LS) from 33 to 36		
Prices - VAT excluded				

KID
Physio

Aluminum shell

ASSEMBLY AND ADJUSTMENT SYSTEM

Removable with quick release

For rigid frame and folding wheelchairs

Suitable for tubes with diameter 18+26mm



Depth adjustment (4cm)

Angle adjustment (±18°)

Configuration DEEP with side support PAD (height adjustable)

Alluminum lateral with padded, breathable upholstery.

15 cm

Small (h 13cm)	<input type="checkbox"/> Right 10272	Large (h 20cm)	<input type="checkbox"/> Right 10273
	<input type="checkbox"/> Left 10272		<input type="checkbox"/> Left 10273

SWING AWAY - Lateral support
 Fixing and adjustment hardware complete with protection sleeve
 Alluminum lateral with padded, breathable upholstery.

<input type="radio"/> Large (18x12)	05647
<input type="radio"/> Small (14x9)	05643
<input type="radio"/> Lateral support extension	Quantity (number pcs)..... 10271
<input type="radio"/> Lateral support extension	Quantity (number pcs).....
<input type="radio"/> Small (14x9)	05642
<input type="radio"/> Large (18x12)	05646

Optional

<input type="checkbox"/> Headrest adjustable - Double ball mounting system	<input type="checkbox"/> Large (35x12,5) 05648
<input type="checkbox"/> Harness	<input type="checkbox"/> Small (25x12,5) 04103

Pag. 1 / 1	Progeo PHYSIO KID - Rev. 2026.0	Prices - VAT excluded to be added to the price list	Send this page <input checked="" type="checkbox"/> standard (supplied if no requests are indicated) <input type="checkbox"/> on request (without extra charge) <input type="checkbox"/> optional (cost to be added at the basic price)
------------	---------------------------------	---	---